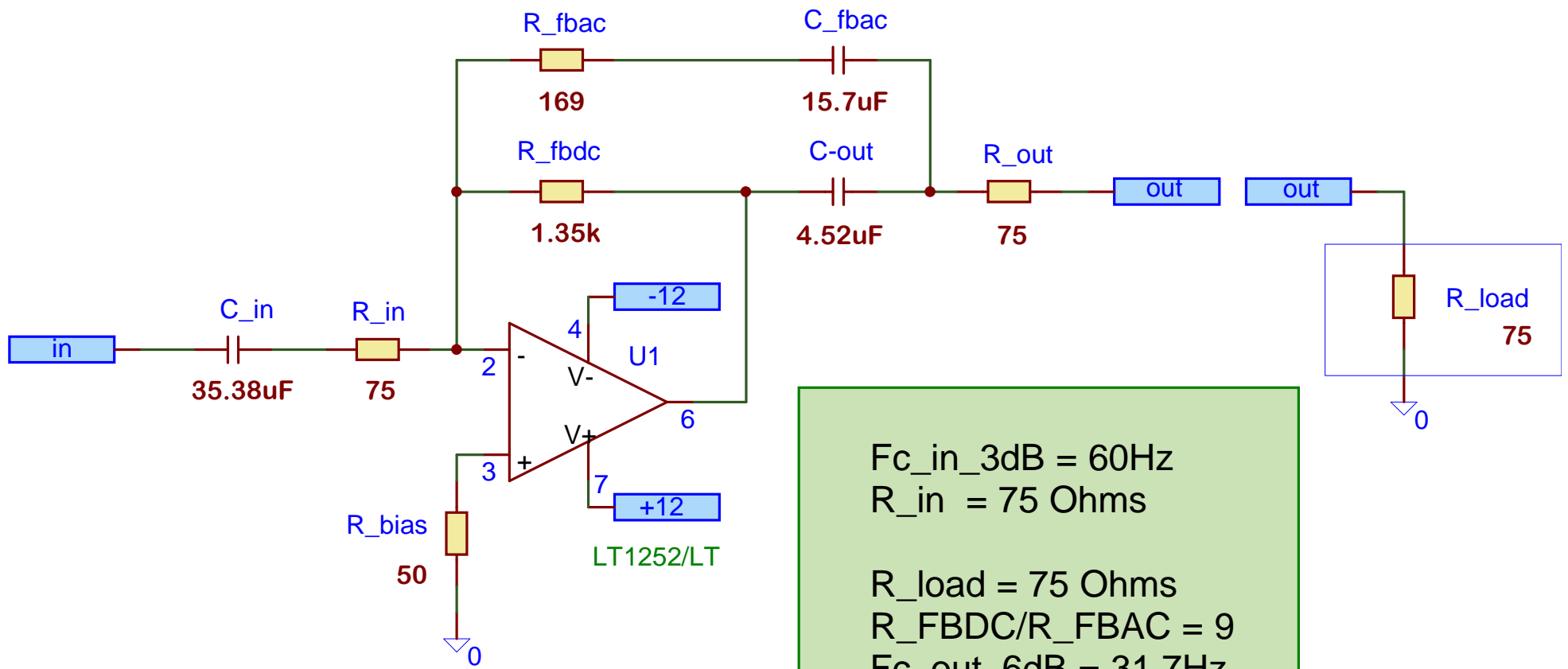


Analog compensated output. Video Transmitter scheme. Gain=1 (0.0dB). R load=75 Ohms.



$$F_{c\_in\_3dB} = 60\text{Hz}$$

$$R_{in} = 75\ \text{Ohms}$$

$$R_{load} = 75\ \text{Ohms}$$

$$R_{FBDC}/R_{FBAC} = 9$$

$$F_{c\_out\_6dB} = 31.7\text{Hz}$$