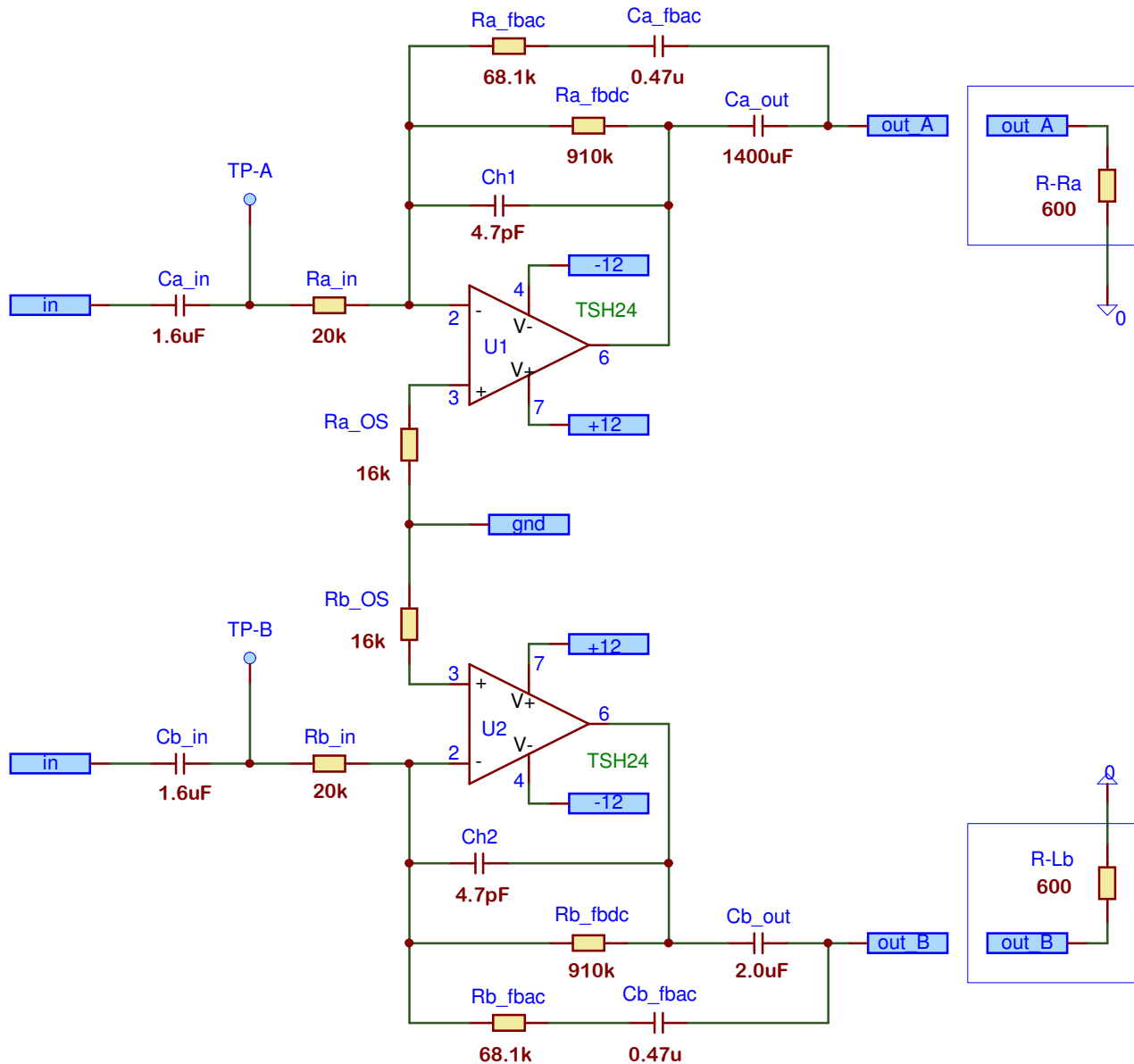


Channel A. Compensated Output. Large Capacitors. Gain +10dB. R input 20kOhms. R load 600 Ohms.



Chennal A.
The Large Capacitors

Gain +10dB;
 $R_{FB/AC} = 67.963 \text{ k}\Omega$;
 $RC_{in} \text{ Time Constant} = 31.9426 \text{ ms}$;
 $C_{in} = 1.597 \text{ }\mu\text{F}$;
 $K = 13.1573$;
 $RC_{out} \text{ Time Constant} = 840 \text{ ms}$;
 $C_{out} = 1400 \text{ }\mu\text{F}$;

Chennal B.
The Small Capacitors

Gain +10dB;
 $R_{FB/AC} = 67.963 \text{ k}\Omega$;
 $RC_{in} \text{ Time Constant} = 31.947 \text{ ms}$;
 $C_{in} = 1.597 \text{ }\mu\text{F}$;
 $K = 13.1573$;
 $RC_{out} \text{ Time Constant} = 2.023 \text{ ms}$;
 $F_c \text{ out } 3\text{dB} = 6 \text{ Hz}$.
 $F_c \text{ out } 6\text{dB} = 4.8 \text{ Hz}$;

Channel A. Compensated Output. Small Capacitors. Gain +10dB. R input 20kOhms. R load 600 Ohms.